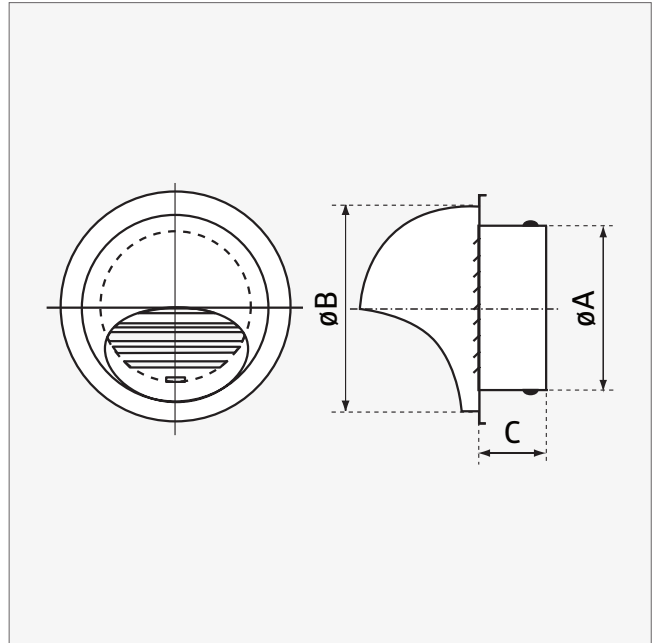




Round air intake / exhauster **VLA**





PRODUCT CHARACTERISTICS:

- VLA may work as air intake or exhauster
- made of CrNi steel - no corrosion
- non-painted
- cover provides protection against weather conditions
- high quality and modern design
- fast and easy installation

MATERIAL:

- stainless steel 1.4301
- EPDM rubber gasket ($\varnothing 100 - \varnothing 200$)

	$\varnothing D$ [mm]	$\varnothing A$ [mm]	$\varnothing B$ [mm]	C [mm]	
VLA-100	100	97,0	133,0	52,0	36
VLA-125	125	120,0	165,0	52,0	18
VLA-150	150	145,0	192,0	62,0	12
VLA-160	160	155,0	192,0	62,0	12
VLA-200	200	195,0	253,0	62,0	12
VLA-250	250	244,5	283,5	66,5	12

 Packaging [pcs]