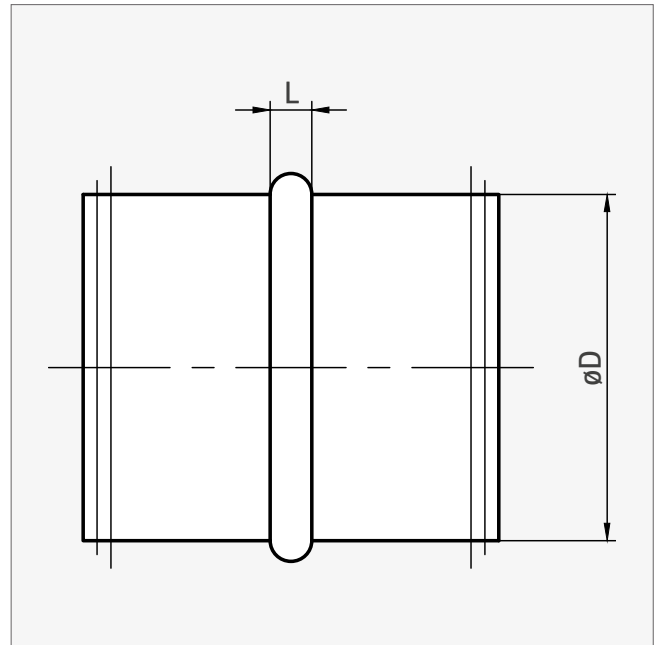




## Male coupling **NPL / NP(E)**




### PRODUCT CHARACTERISTICS:


- stitch welded
- produced with returned (NP/NPL) or sharp edges (NPE)
- gasket is positioned by returned edges (NPL)


### MATERIAL:


- galvanized steel
- EPDM rubber gasket (NPL)

Part of a certified ventilation system **with increased airtightness class D.**

NPL / NP		
øD [mm]	L [mm]	
80	6	90   P12
100	6	55   P12
125	6	40   P12
140	6	28   P12
150	6	55   P6
160	6	40   P6
180	6	55   P4
200	6	45   P4
224	6	20   P6
250	7	40   P2
280	7	30   P2
300	7	30   P2

NPL / NP		
øD [mm]	L [mm]	
315	7	26   P2
355	7	20   P2
400	9	24   P1
450	9	24   P1
500	9	24   P1
560	11	21   P1
630	11	16   P1
710	11	15   P1
800	11	10   P1
900	11	
1000	15	
1250	15	

NPE		
øD [mm]	L [mm]	
450	8	30   P1
500	8	30   P1
560	8	21   P1
600	8	17   P1
630	10	16   P1
710	10	15   P1
800	10	10   P1
900	10	
1000	10	
1120	10	
1250	10	

 Packaging [pcs | type]