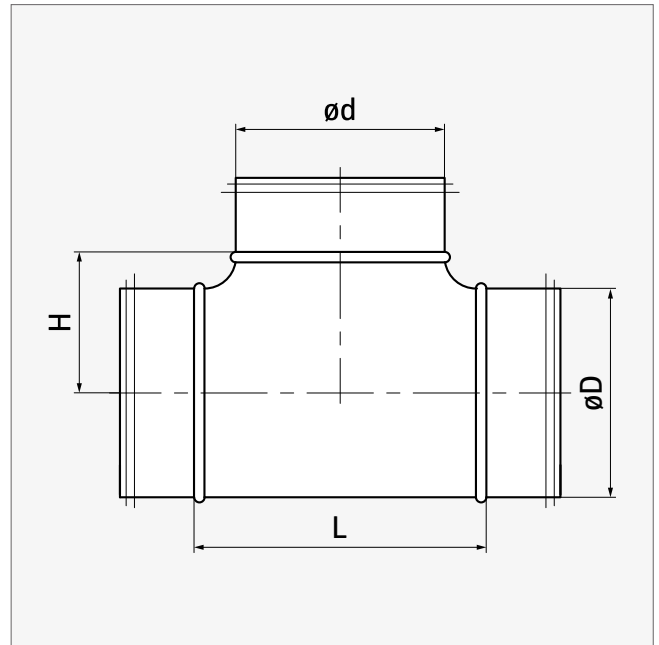




# Pressed T-piece TSHFL / TSHF



### PRODUCT CHARACTERISTICS:

- take-off is made of fully pressed upper part
- lower pressure drop
- aesthetic look
- produced with returned edges

### MATERIAL:

- galvanized steel
- EPDM rubber gasket (TSHFL)

$\varnothing D$ [mm]	$\varnothing d$ [mm]	L [mm]	H [mm]	
100	80	95	55	45   P6
100	100	127	58	47   P4
125	80	95	68	46   P4
125	100	127	71	35   P4
125	125	162	79	60   P2
160	100	127	88	52   P2
160	125	162	96	39   P2
160	160	207	101	30   P2
200	160	207	121	24   P2
200	200	247	121	36   P1
250	250	297	147	18   P1
315	315	362	180	10   P1

Packaging [pcs | type] L, H: +5 mm