



# Twin bend 45° YVL 45 / YVE 45

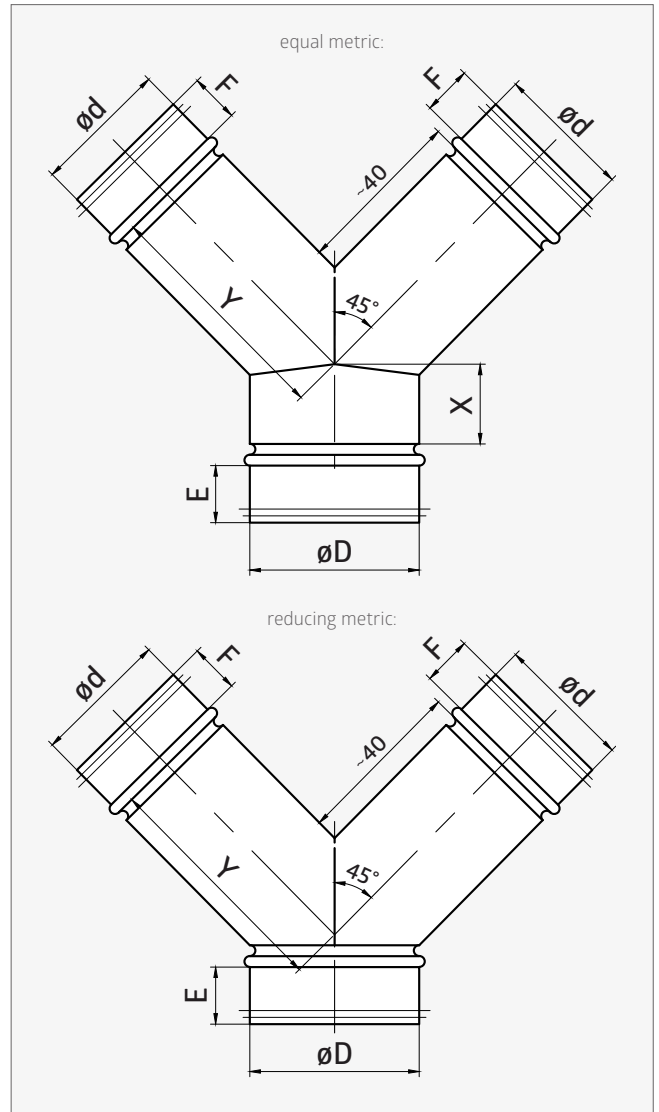


## PRODUCT CHARACTERISTICS:

- stitch and spot welded
- gasket is positioned by returned edges (YVL)

## MATERIAL:

- galvanized steel
- EPDM rubber gasket (YVL)



$\varnothing D$ [mm]	$\varnothing d$ [mm]	YVL 45					YVE 45					
		E [mm]	F [mm]	X [mm]	Y [mm]		E [mm]	F [mm]	X [mm]	Y [mm]		
80	80	38	38	57	80		27   P6	40	40	49	72	27   P6
100	100	38	38	60	90		18   P4	40	40	53	82	33   P4
125	100	38	38	x	95			40	40	x	95	30   P4
125	125	38	38	66	103			40	40	59	94	18   P4
150	100	38	38	x	95		17   P6	40	40	x	95	
150	125	38	38	x	110			40	40	x	110	
150	150	38	38	71	115		10   P4	40	40	63	108	25   P2
160	100	38	38	x	90			40	40	x	90	16   P6
160	125	38	38	x	110		10   P6	40	40	x	110	19   P4
160	150	38	38	x	130			40	40	x	130	
160	160	38	38	73	120		22   P2	40	40	66	112	20   P2

Packaging [pcs | type]

X, Y: +5 mm



## Round fittings

øD [mm]	ød [mm]	YVL 45						YVE 45					
		E [mm]	F [mm]	X [mm]	Y [mm]	E [mm]		F [mm]	X [mm]	Y [mm]			
<b>200</b>	<b>125</b>	38	38	×	100		40	40	×	100	20   P4		
<b>200</b>	<b>160</b>	38	38	×	130	11   P4	40	40	×	130	25   P2		
<b>200</b>	<b>200</b>	38	38	81	140	26   P1	40	40	74	132	12   P2		
<b>250</b>	<b>200</b>	57	38	×	150		40	40	×	150	12   P2		
<b>250</b>	<b>250</b>	57	57	92	165	5   P2	40	40	85	157	18   P1		
<b>300</b>	<b>300</b>						40	40	95	182	8   P1		
<b>315</b>	<b>200</b>	57	38	×	140	6   P4	40	40	×	140	14   P2		
<b>315</b>	<b>250</b>	57	57	×	180		40	40	×	180	8   P2		
<b>315</b>	<b>315</b>	57	57	105	198		40	40	98	190	8   P1		
<b>355</b>	<b>250</b>	57	57	×	175		40	40	×	175	12   P1		
<b>355</b>	<b>355</b>	57	57	114	218		40	40	107	210	6   P1		
<b>400</b>	<b>280</b>	66	57	×	190		40	40	×	190			
<b>400</b>	<b>400</b>	66	66	123	240		40	40	116	233	4   P1		
<b>450</b>	<b>450</b>	68	68	134	265		50	50	126	257			
<b>500</b>	<b>500</b>	68	68	144	290		50	50	137	283	2   P1		
<b>560</b>	<b>560</b>	68	68	156	320		60	60	149	312			
<b>630</b>	<b>630</b>	68	68	171	355		60	60	183	347			