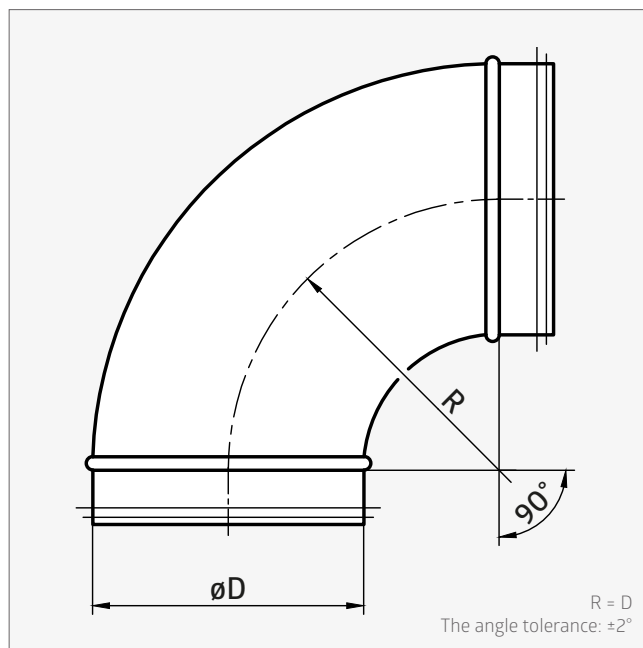




# 90° pressed bend **BL / B**



### PRODUCT CHARACTERISTICS:

- pressed
- stitch welded
- returned edges
- gasket is positioned by returned edges (BL)

### MATERIAL:

- galvanized steel
- EPDM rubber gasket (BL)

Part of a certified ventilation system **with increased airtightness class D.**

$\varnothing D$ [mm]	
<b>80</b>	60   P6
<b>100</b>	110   P2
<b>125</b>	60   P2
<b>150</b>	75   P1
<b>160</b>	60   P1
<b>180</b>	45   P1
<b>200</b>	33   P1
<b>250</b>	18   P1

Packaging [pcs | type]